

Induction System Activator Tables

Models: INDAT10C, INDAT10D, INDAT10STC

INDAT10D
Double Activator Table

The Aladdin Temp-Rite activator table is a space saving support platform for all of the Heat On Demand® activators.

Aladdin offers two tables to suit your specific needs. The **INDAT10C** single activator table with casters for mobility, and the stationary **INDAT10D** double activator table. Accessories include side tables, **INDAT10STC**. These accessories can be easily attached to each side of the INDAT10C with hand tools.

INDAT10C

Single Activator Table



Standard Features:

- All stainless-steel construction.
- Top platform 14 ga stainless steel with front side marine edge.
- Sloped back and vented surface assure proper airflow, which prevents activator overheating on INDAT10C model.
- Vented surfaces on upper and lower levels assure proper airflow for activators on the stationary INDAT10D model.
- Seamless, one-piece welded work surface.
- Table surface fully braced for strength.
- Undershef for storage.
- INDAT10C has 2" (5.08 cm) O.D. 16 ga welded stainless steel legs. INDAT10D has 1-5/8" (4.13 cm) O.D. 16 ga welded stainless steel legs.
- Standard table surface will accommodate all Heat On Demand activators.
- Stationary INDAT10D model has adjustable stainless steel bullet feet. (Casters not available)
- The mobile model INDAT10C has 5" casters, two with brakes.



INDAT10C Shown with the compact Advantage RS+ activator and room for china and bases.



INDAT10C & INDAT10STC Shown below with Advantage Plus activator paired with (2) side tables.

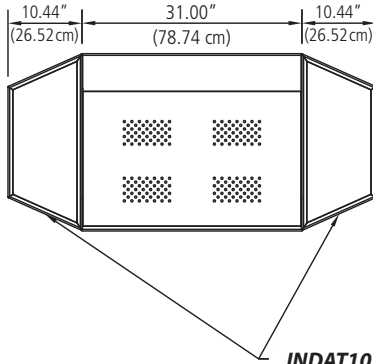


Induction System Activator Tables

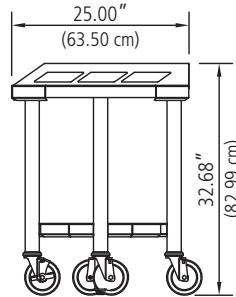
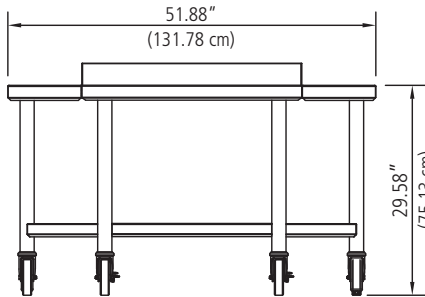
Models: INDAT10C, INDAT10D, INDAT10STC



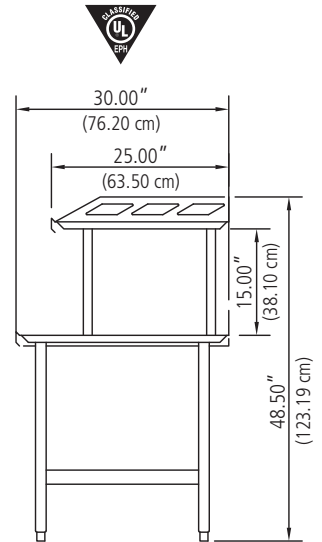
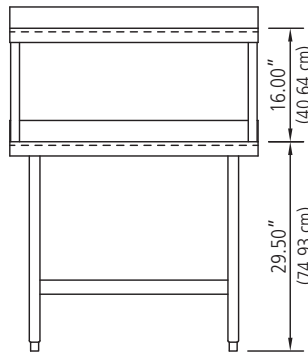
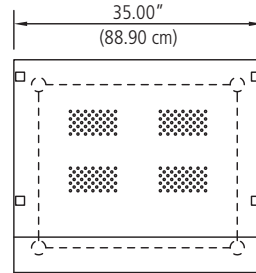
INDAT10STC & INDAT10C



INDAT10STC Side Tables



INDAT10D Double Activator Table



Activator Table Technical Specifications					
Model #	Configurations	Height	Width	Depth	Weight
INDAT10C	Activator Table w/ Casters	32.68" (83.0 cm)	31" (78.74 cm)	25.06" (63.65 cm)	66 lbs (29.94 kg)
INDAT10STC ¹ (for INDAT10C only)	Side Tables w/ Casters	29.60" (75.199 cm)	24.92" (63.314 cm)	13.67" (34.72 cm)	22 lbs (9.97 kg)
INDAT10C + INDAT10STC	Activator Table w/ Casters + One Side Table w/ Casters	32.68" (83.0 cm)	41.44" (105.3 cm)	25.06" (63.65 cm)	88 lbs (39.91 kg)
INDAT10C + (2) INDAT10STC	Activator Table w/ Casters + Two Side Tables w/ Casters	32.68" (83.0 cm)	51.88" (131.8 cm)	25.06" (63.65 cm)	110 lbs (49.88 kg)
INDAT10D	Double Activator Table	48.50" (123.2 cm)	35" (88.9 cm)	30" (76.2 cm)	200 lbs (90.719 kg)

¹ Side tables are reversible, attachable to left, right, or both sides of INDAT10C, single table. Side tables are not for use with INDAT10D, double activator table.

Visit aladdintemprite.com/patents for patent information.

250 E. Main St. | Hendersonville, TN 37075 | Customer Service: 800.888.8018 | Tech Service: 800.888.5426 | Fax: 888.812.9956 | aladdintemprite.com
 ©2023 Aladdin Temp-Rite.® All rights reserved. Note: Specifications are subject to change without notice.



S230306INDAT

an Ali Group Company



The Spirit of Excellence